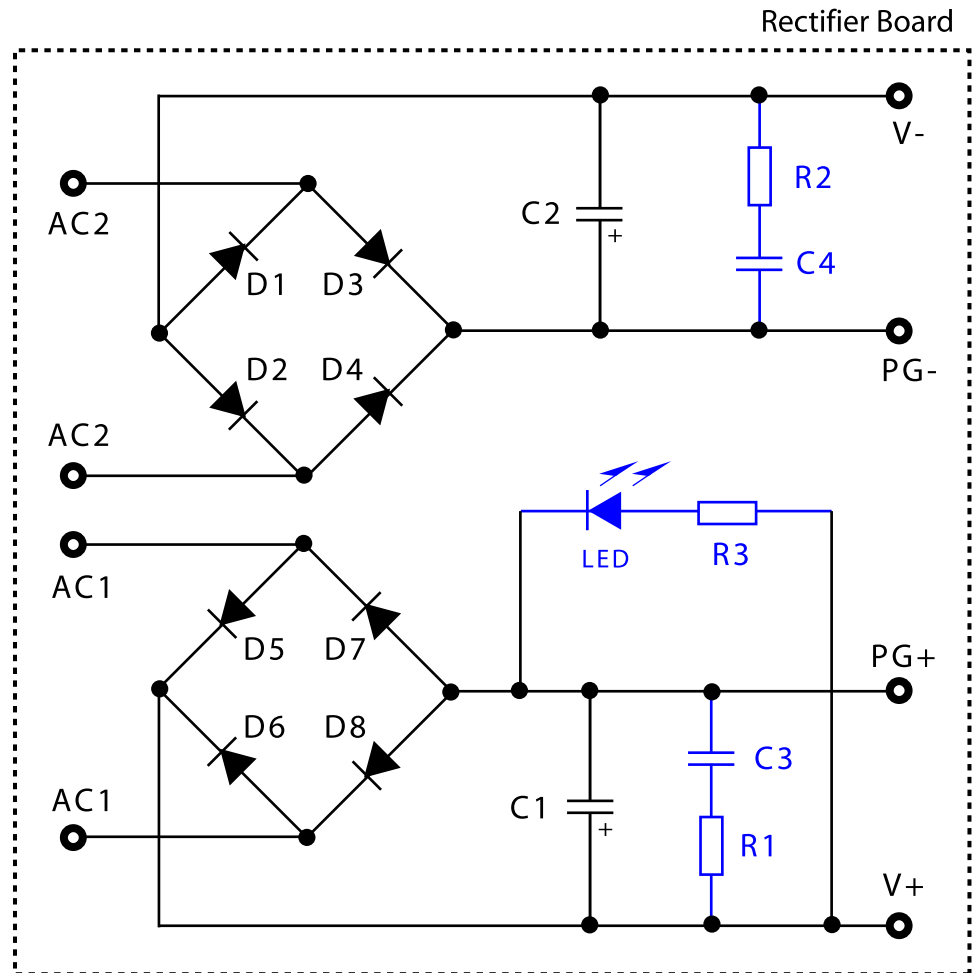
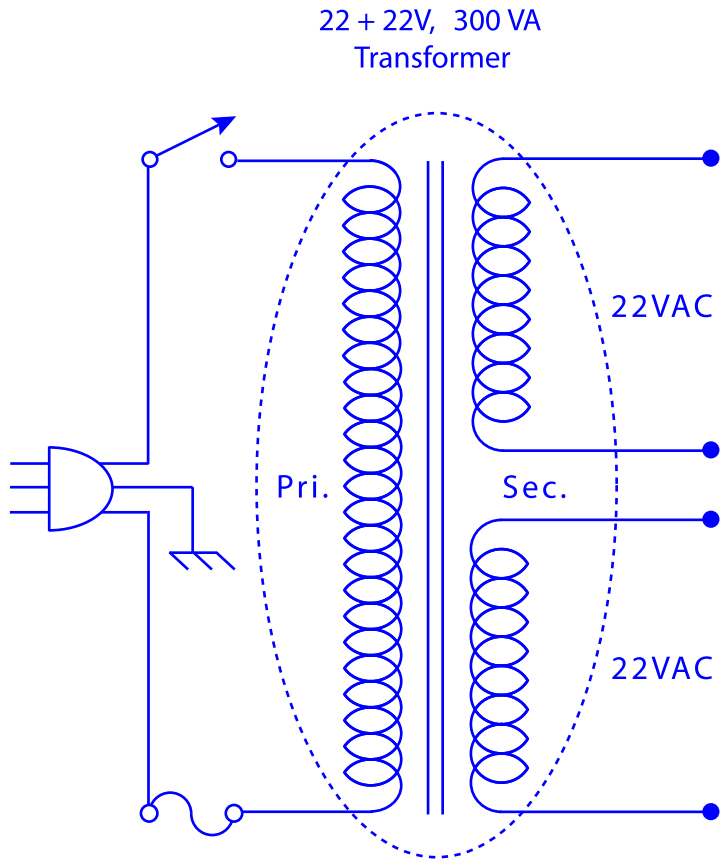


# LM4780 Kit Power Supply Schematic

© 2005 AudioSector

Components shown in blue are not supplied in kit.



D1-D8 = MUR860  
 C1/C2 = 4.7uF - 100uF (10uF supplied)  
 R3 = 62k (depends on LED)

Optional snubber components:

R1/R2 = 0.1R  
 C3/C4 = 3n3

When snubber is implemented, C1/C2 should be changed to 10,000uF or higher.  
 (Snubber implementation suggested by Carlosfm)